

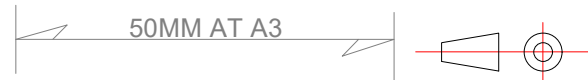
TITLE: <b>101-009G2W 1 NM tri-color/anchor, Windex Mount, on a 400-038 PE std base</b>					
DRAWING NO.: <b>101-009G2W-AA</b>			DRAWN BY: <b>TGC</b>		
REV. NO.:	SIZE:	SCALE:	TOLERANCES:	REVIEWED BY:	CREATION DATE:
<b>1</b>	<b>A3</b>	<b>1 : 1</b>	<b>DS/ISO 2768-f</b>		<b>15-06-2022</b>
MATERIAL DESCRIPTION: <b>Alu. EN6082, Acrylic, PE</b>					
<small>(20µ) Silver anodized according to EN ISO 7599 (50µ) Black anodized according to MIL-A 8625F</small>					



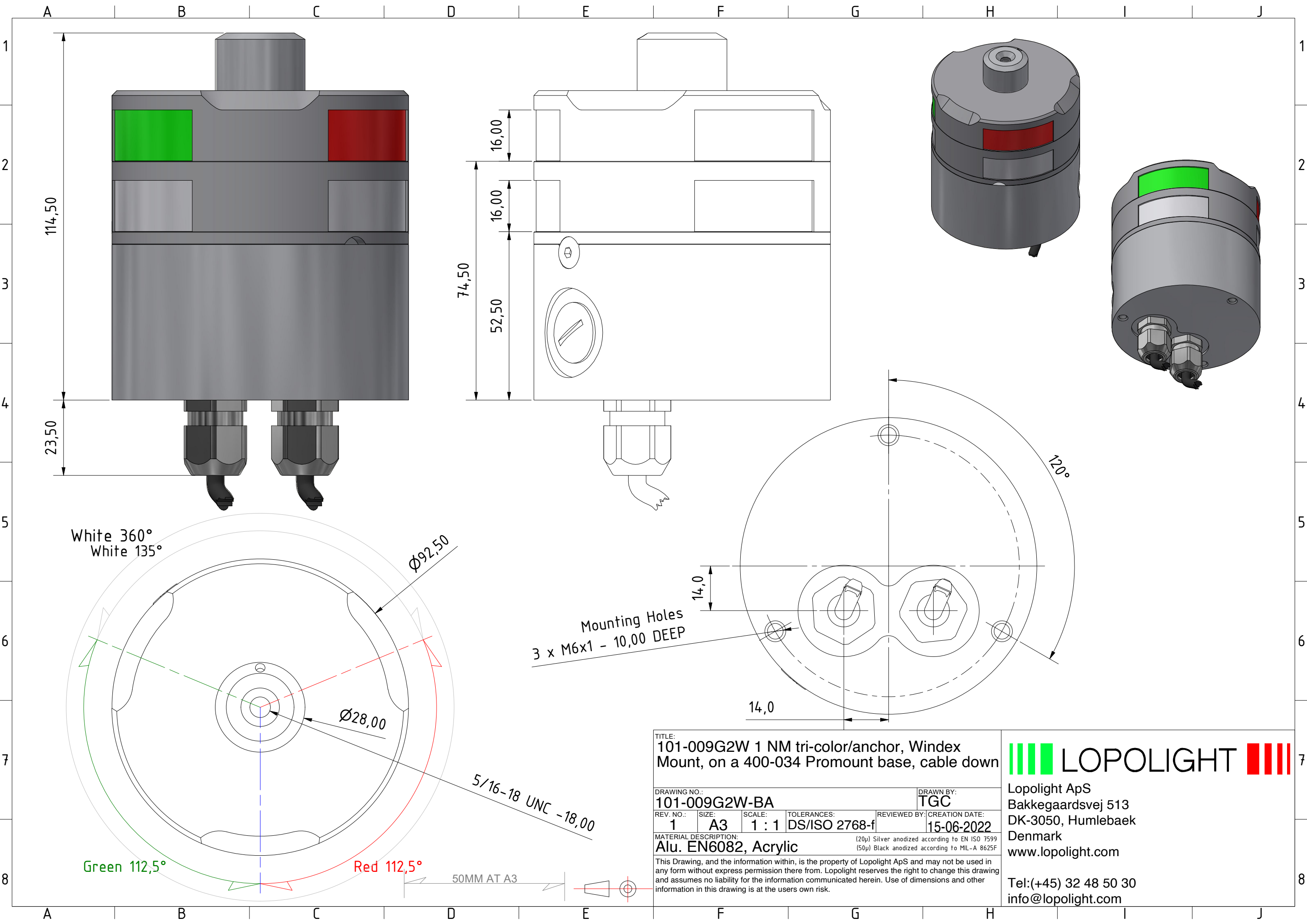
**LOPOLIGHT**

Lopolight ApS  
 Bakkegaardsvej 513  
 DK-3050, Humlebaek  
 Denmark  
[www.lopolight.com](http://www.lopolight.com)

Tel:(+45) 32 48 50 30  
[info@lopolight.com](mailto:info@lopolight.com)



This Drawing, and the information within, is the property of Lopolight ApS and may not be used in any form without express permission there from. Lopolight reserves the right to change this drawing and assumes no liability for the information communicated herein. Use of dimensions and other information in this drawing is at the users own risk.

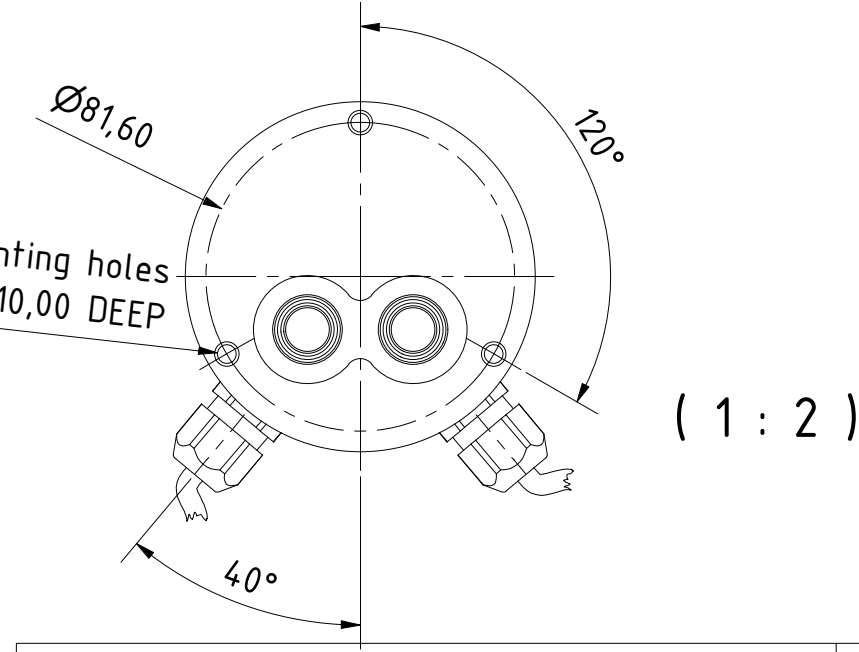
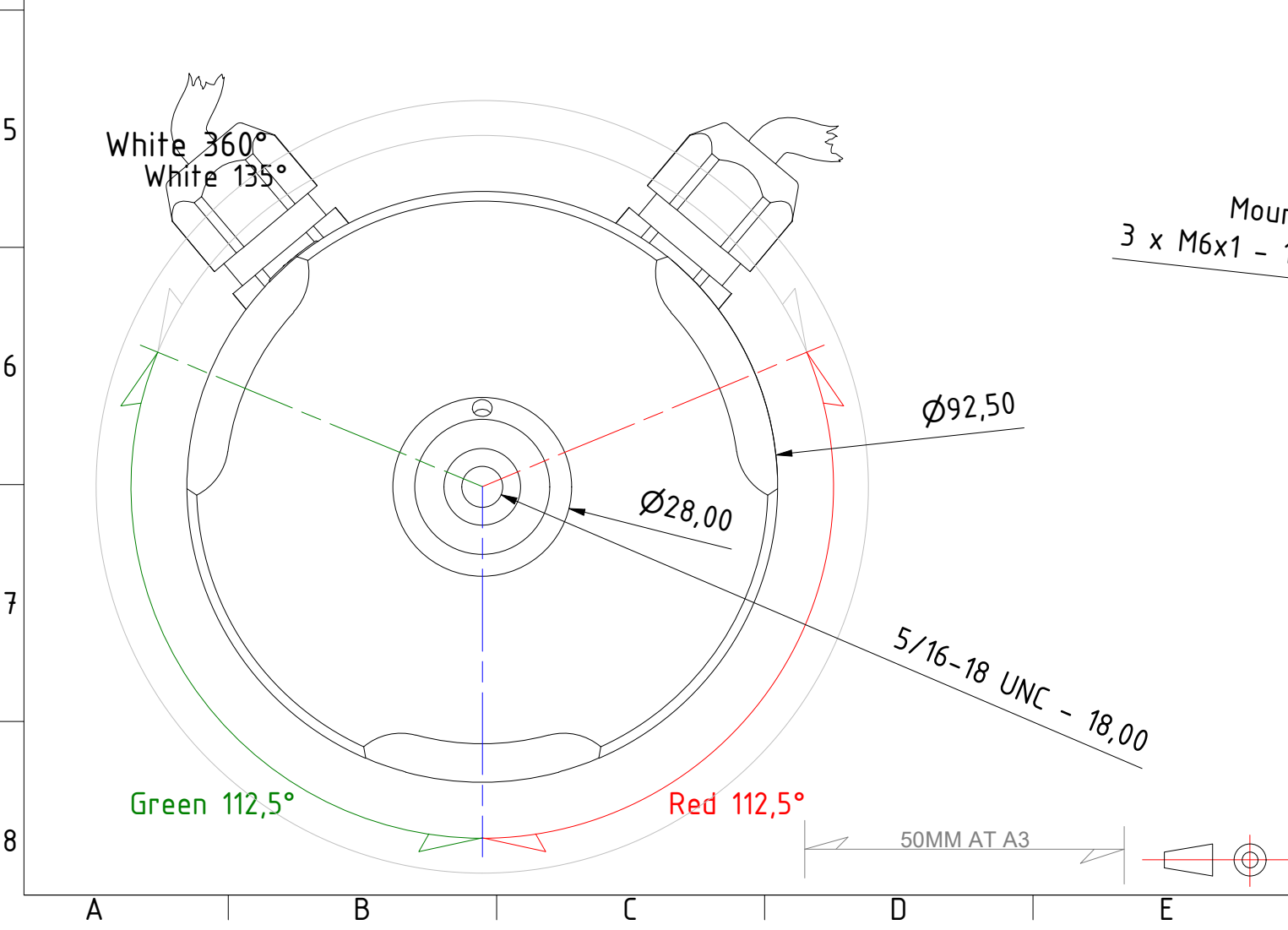
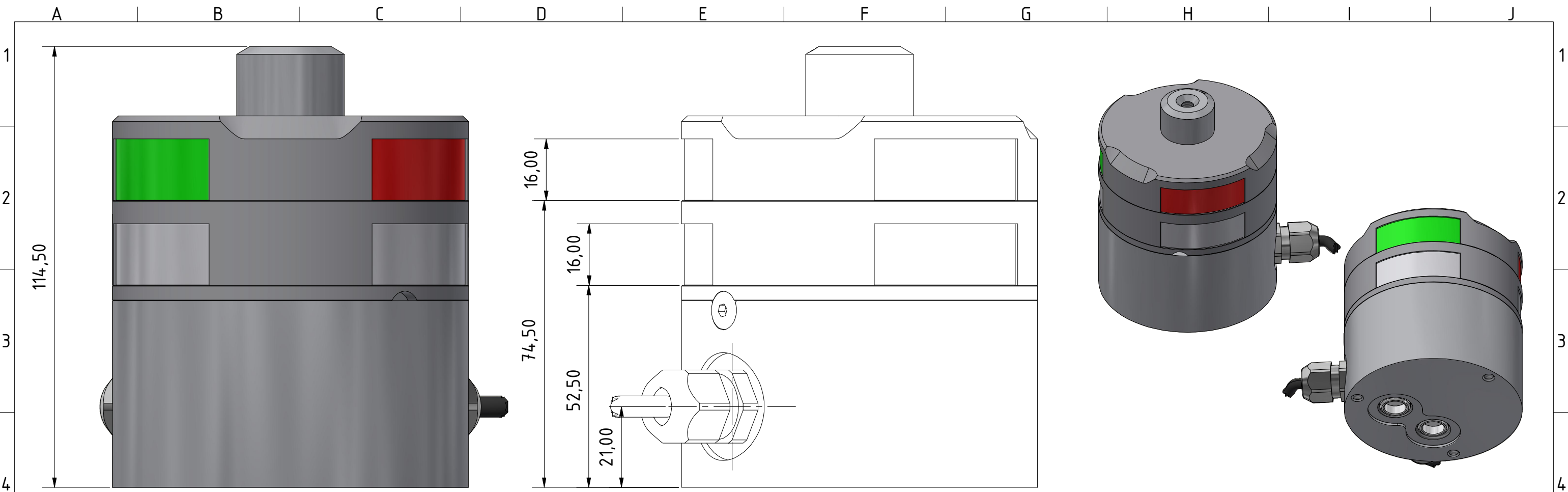


TITLE: <b>101-009G2W 1 NM tri-color/anchor, Windex Mount, on a 400-034 Promount base, cable down</b>					
DRAWING NO.: <b>101-009G2W-BA</b>			DRAWN BY: <b>TGC</b>		
REV. NO.: <b>1</b>	SIZE: <b>A3</b>	SCALE: <b>1 : 1</b>	TOLERANCES: <b>DS/ISO 2768-f</b>	REVIEWED BY:	CREATION DATE: <b>15-06-2022</b>
MATERIAL DESCRIPTION: <b>Alu. EN6082, Acrylic</b>					
<small>(20µ) Silver anodized according to EN ISO 7599 (50µ) Black anodized according to MIL-A 8625F</small>					
<small>This Drawing, and the information within, is the property of Lopolight ApS and may not be used in any form without express permission there from. Lopolight reserves the right to change this drawing and assumes no liability for the information communicated herein. Use of dimensions and other information in this drawing is at the users own risk.</small>					

**LOPOLIGHT**

Lopolight ApS  
 Bakkegaardsvej 513  
 DK-3050, Humlebaek  
 Denmark  
[www.lopolight.com](http://www.lopolight.com)

Tel: (+45) 32 48 50 30  
[info@lopolight.com](mailto:info@lopolight.com)

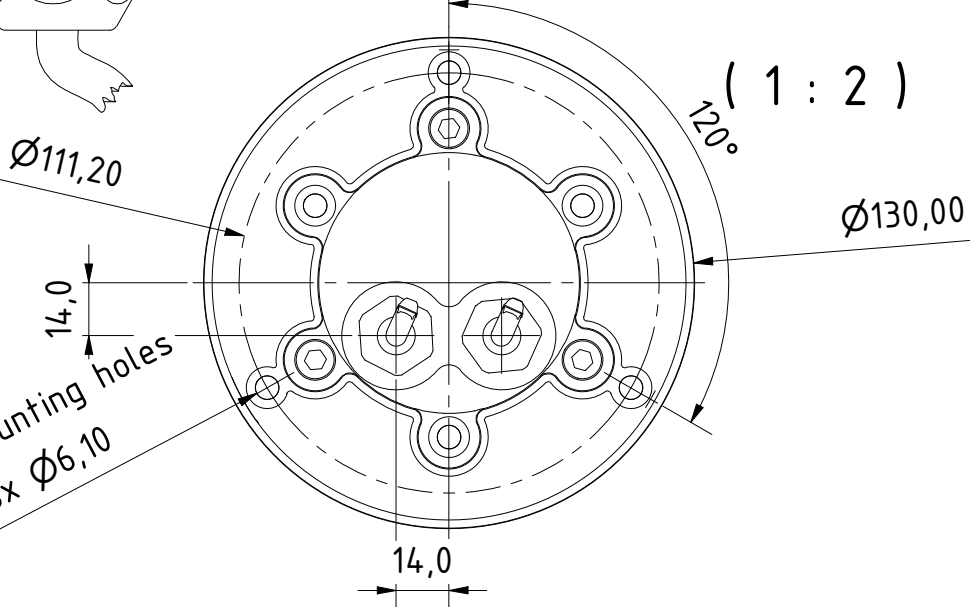
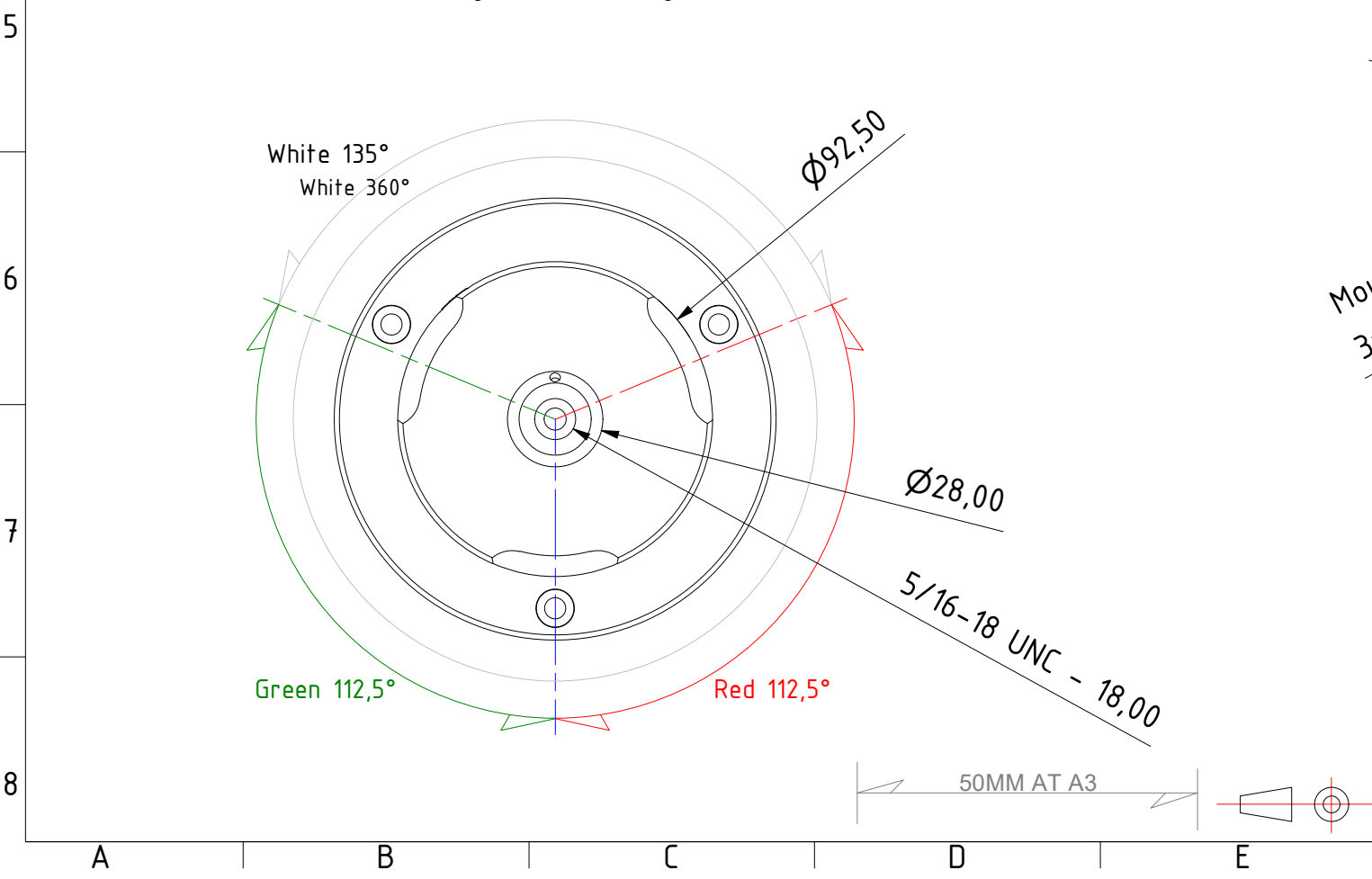
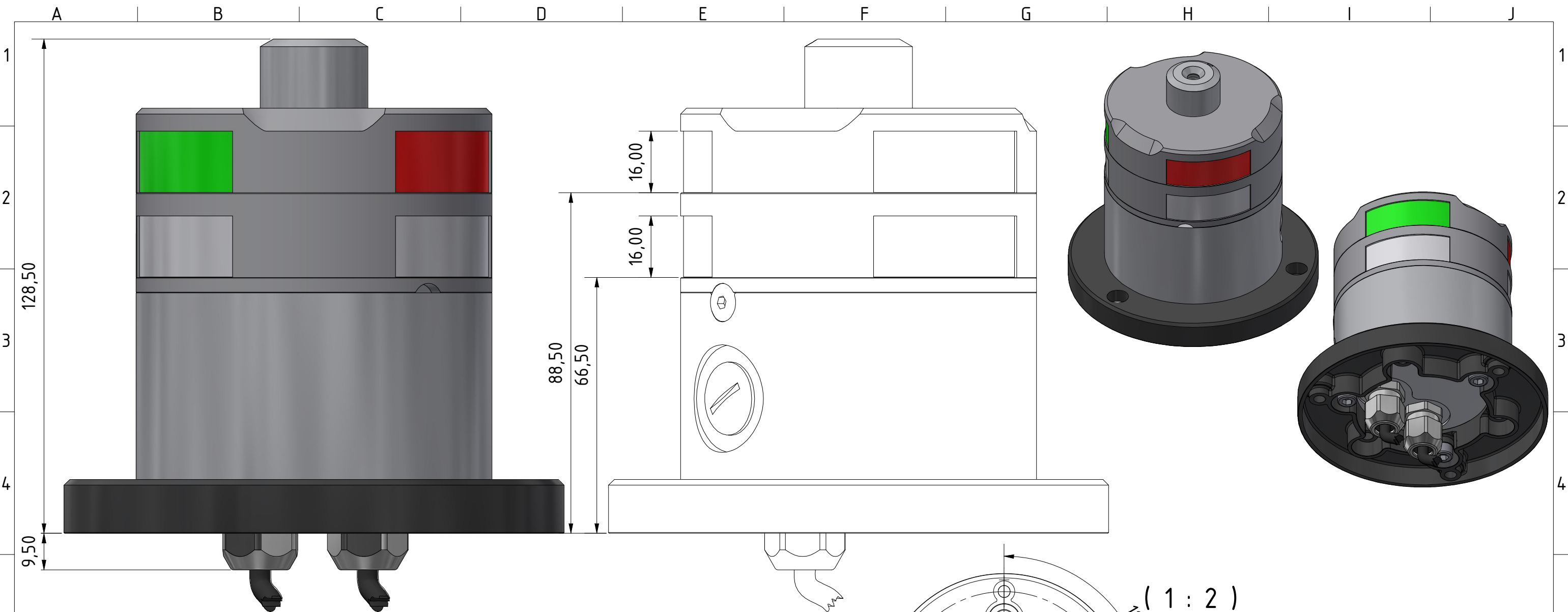


TITLE: <b>101-009G2W 1 NM tri-color/anchor, Windex Mount, on a 400-034 Promount base, cable Side</b>					
DRAWING NO.: <b>101-009G2W-CA</b>			DRAWN BY: <b>TGC</b>		
REV. NO.: <b>1</b>	SIZE: <b>A3</b>	SCALE: <b>1 : 1</b>	TOLERANCES: <b>DS/ISO 2768-f</b>	REVIEWED BY:	CREATION DATE: <b>15-06-2022</b>
MATERIAL DESCRIPTION: <b>Alu. EN6082, Acrylic</b>					
<small>(20µ) Silver anodized according to EN ISO 7599 (50µ) Black anodized according to MIL-A 8625F</small>					
<small>This Drawing, and the information within, is the property of Lopolight ApS and may not be used in any form without express permission there from. Lopolight reserves the right to change this drawing and assumes no liability for the information communicated herein. Use of dimensions and other information in this drawing is at the users own risk.</small>					


**LOPOLIGHT**

Lopolight ApS  
 Bakkegaardsvej 513  
 DK-3050, Humlebaek  
 Denmark  
[www.lopolight.com](http://www.lopolight.com)

Tel: (+45) 32 48 50 30  
[info@lopolight.com](mailto:info@lopolight.com)



TITLE: <b>101-009G2W 1 NM tri-color/anchor, Windex Mount, on a 400-034 Promount base, 400-404 PE Base, cable down</b>					
DRAWING NO.: <b>101-009G2W-DA</b>			DRAWN BY: <b>TGC</b>		
REV. NO.:	SIZE:	SCALE:	TOLERANCES:	REVIEWED BY:	CREATION DATE:
<b>1</b>	<b>A3</b>	<b>1 : 1</b>	<b>DS/ISO 2768-f</b>		<b>15-06-2022</b>
MATERIAL DESCRIPTION: <b>Alu. EN6082, Acrylic, PE</b>					
<small>(20µ) Silver anodized according to EN ISO 7599 (50µ) Black anodized according to MIL-A 8625F</small>					
<small>This Drawing, and the information within, is the property of Lopolight ApS and may not be used in any form without express permission there from. Lopolight reserves the right to change this drawing and assumes no liability for the information communicated herein. Use of dimensions and other information in this drawing is at the users own risk.</small>					

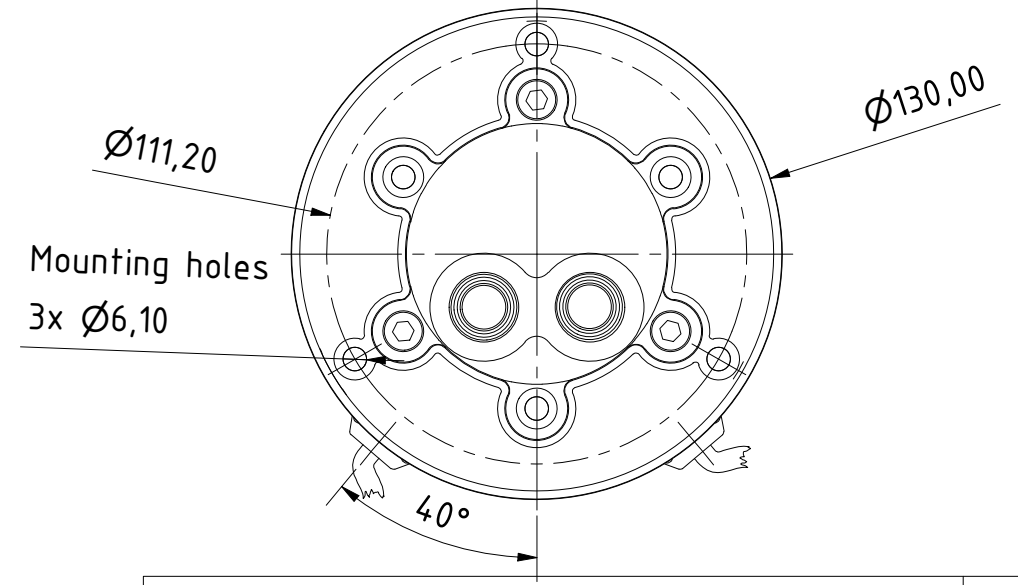
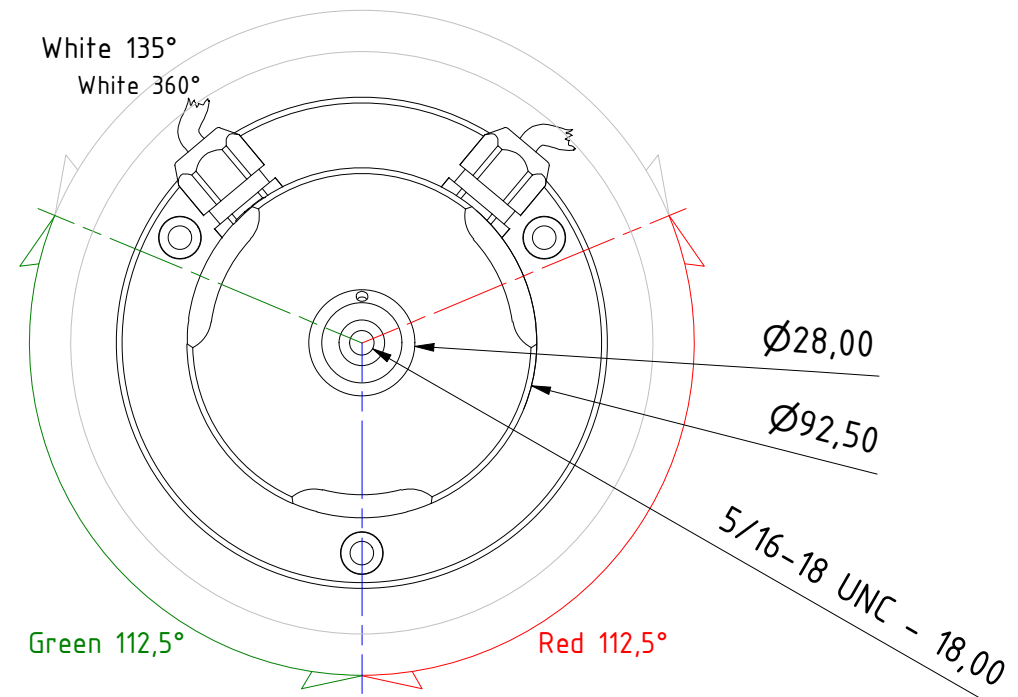
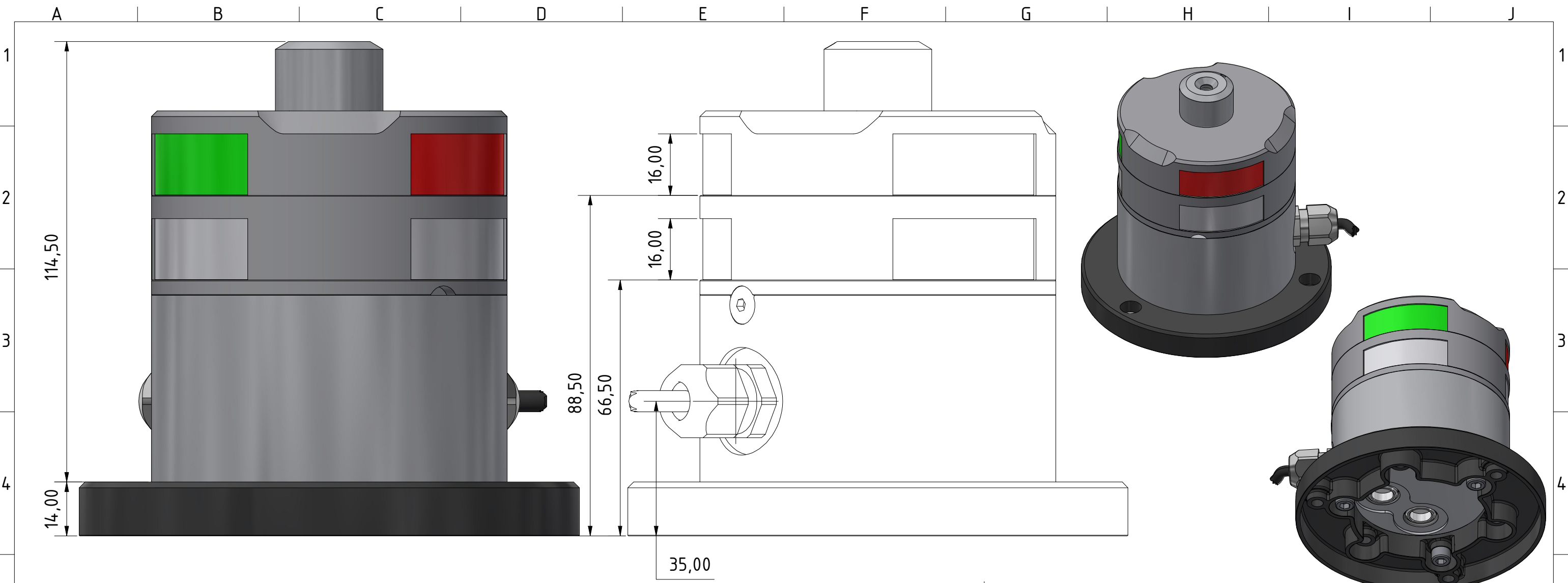


**LOPOLIGHT**

Lopolight ApS  
 Bakkegaardsvej 513  
 DK-3050, Humlebaek  
 Denmark  
[www.lopolight.com](http://www.lopolight.com)

Tel:(+45) 32 48 50 30  
[info@lopolight.com](mailto:info@lopolight.com)





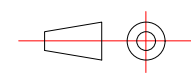
TITLE: <b>101-009G2W 1 NM tri-color/anchor, Windex Mount, on a 400-034 Promount base, 400-404 PE Base, cable side</b>					
DRAWING NO.: <b>101-009G2W-EA</b>			DRAWN BY: <b>TGC</b>		
REV. NO.: <b>1</b>	SIZE: <b>A3</b>	SCALE: <b>1 : 1</b>	TOLERANCES: <b>DS/ISO 2768-f</b>	REVIEWED BY:	CREATION DATE: <b>15-06-2022</b>
MATERIAL DESCRIPTION: <b>Alu. EN6082, Acrylic, PE</b>					
<small>(20µ) Silver anodized according to EN ISO 7599 (50µ) Black anodized according to MIL-A 8625F</small>					
<small>This Drawing, and the information within, is the property of Lopolight ApS and may not be used in any form without express permission there from. Lopolight reserves the right to change this drawing and assumes no liability for the information communicated herein. Use of dimensions and other information in this drawing is at the users own risk.</small>					

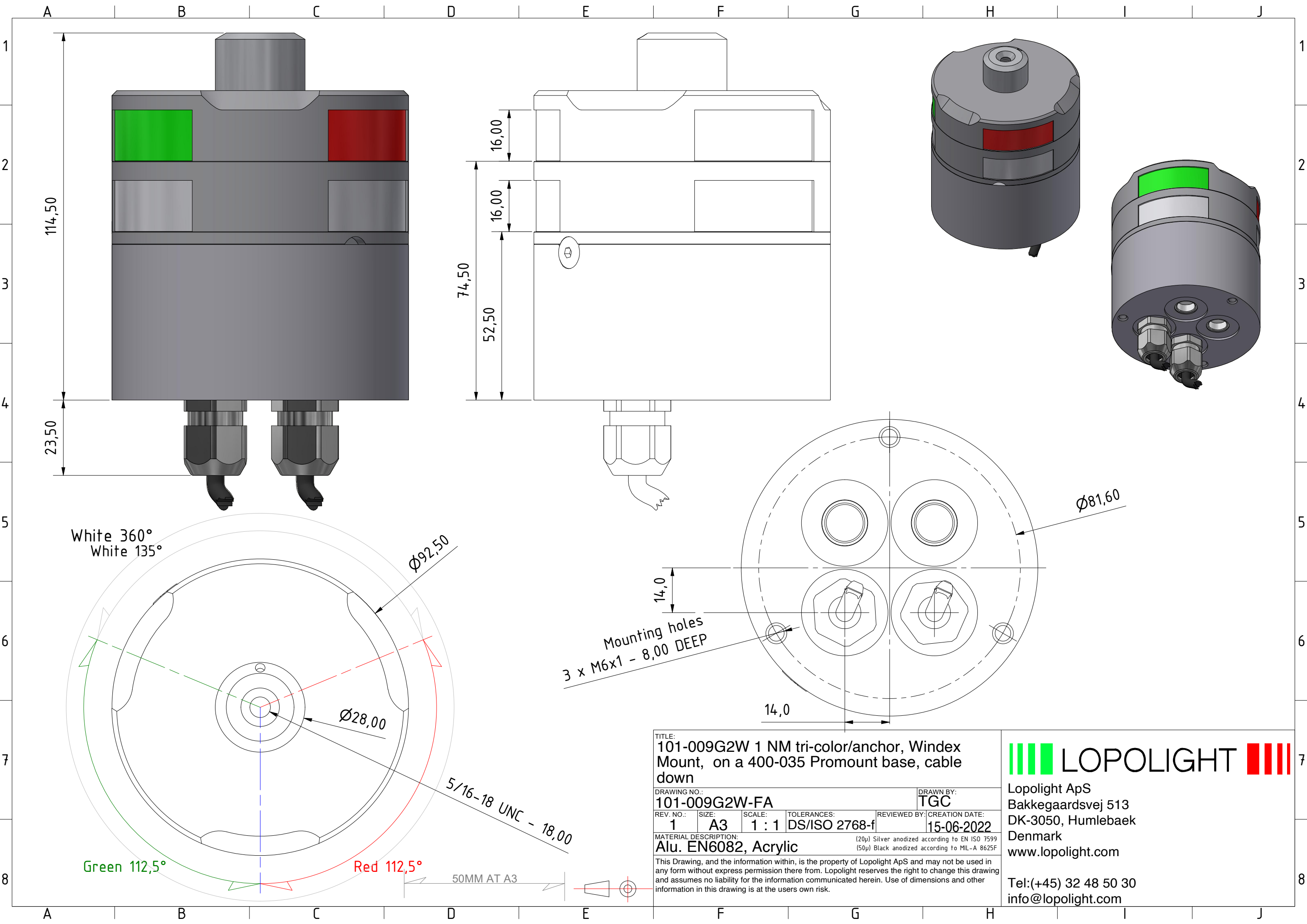
**LOPOLIGHT**

Lopolight ApS  
 Bakkegaardsvej 513  
 DK-3050, Humlebaek  
 Denmark  
[www.lopolight.com](http://www.lopolight.com)

Tel:(+45) 32 48 50 30  
[info@lopolight.com](mailto:info@lopolight.com)

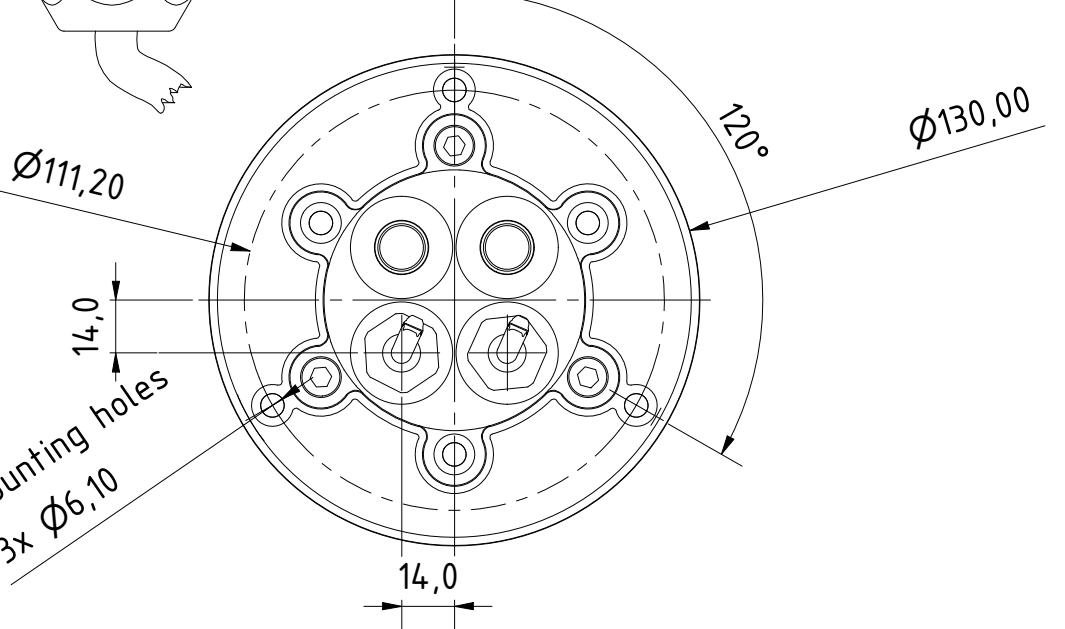
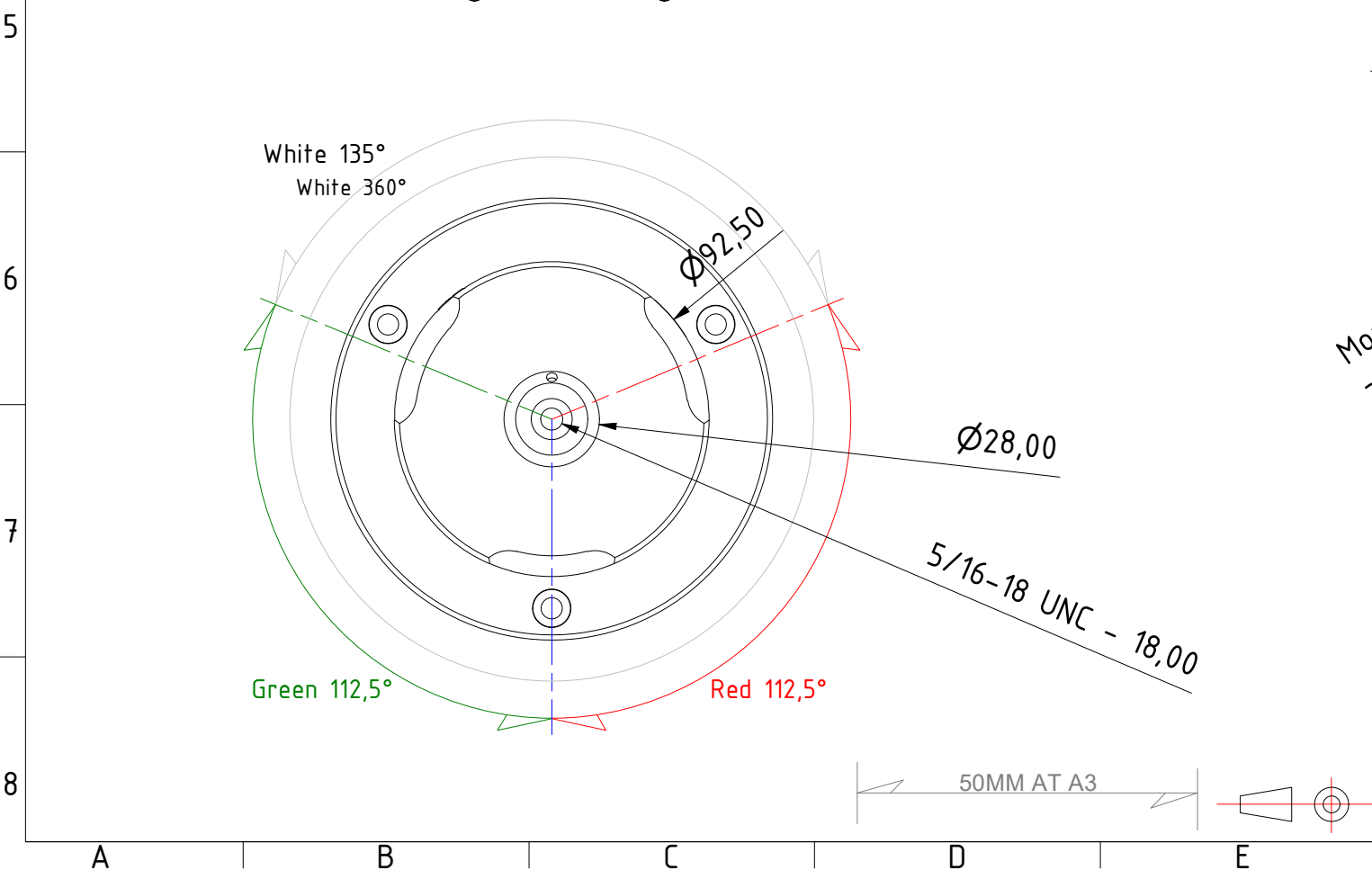
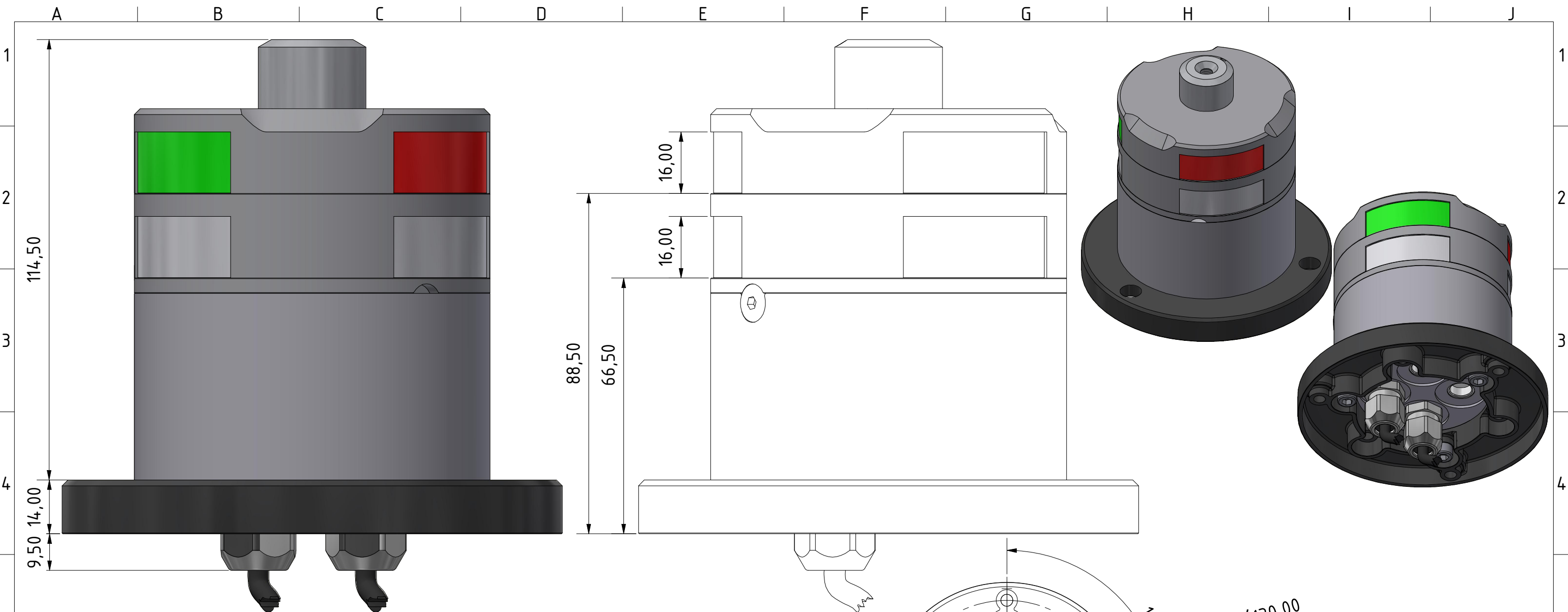
50MM AT A3





TITLE: <b>101-009G2W 1 NM tri-color/anchor, Windex Mount, on a 400-035 Promount base, cable down</b>					
DRAWING NO.: <b>101-009G2W-FA</b>			DRAWN BY: <b>TGC</b>		
REV. NO.:	SIZE:	SCALE:	TOLERANCES:	REVIEWED BY:	CREATION DATE:
<b>1</b>	<b>A3</b>	<b>1 : 1</b>	<b>DS/ISO 2768-f</b>		<b>15-06-2022</b>
MATERIAL DESCRIPTION: <b>Alu. EN6082, Acrylic</b>					
<small>(20µ) Silver anodized according to EN ISO 7599 (50µ) Black anodized according to MIL-A 8625F</small>					
<small>This Drawing, and the information within, is the property of Lopolight ApS and may not be used in any form without express permission there from. Lopolight reserves the right to change this drawing and assumes no liability for the information communicated herein. Use of dimensions and other information in this drawing is at the users own risk.</small>					


  
**Lopolight ApS**  
 Bakkegaardsvej 513  
 DK-3050, Humlebaek  
 Denmark  
[www.lopolight.com](http://www.lopolight.com)  
 Tel:(+45) 32 48 50 30  
[info@lopolight.com](mailto:info@lopolight.com)

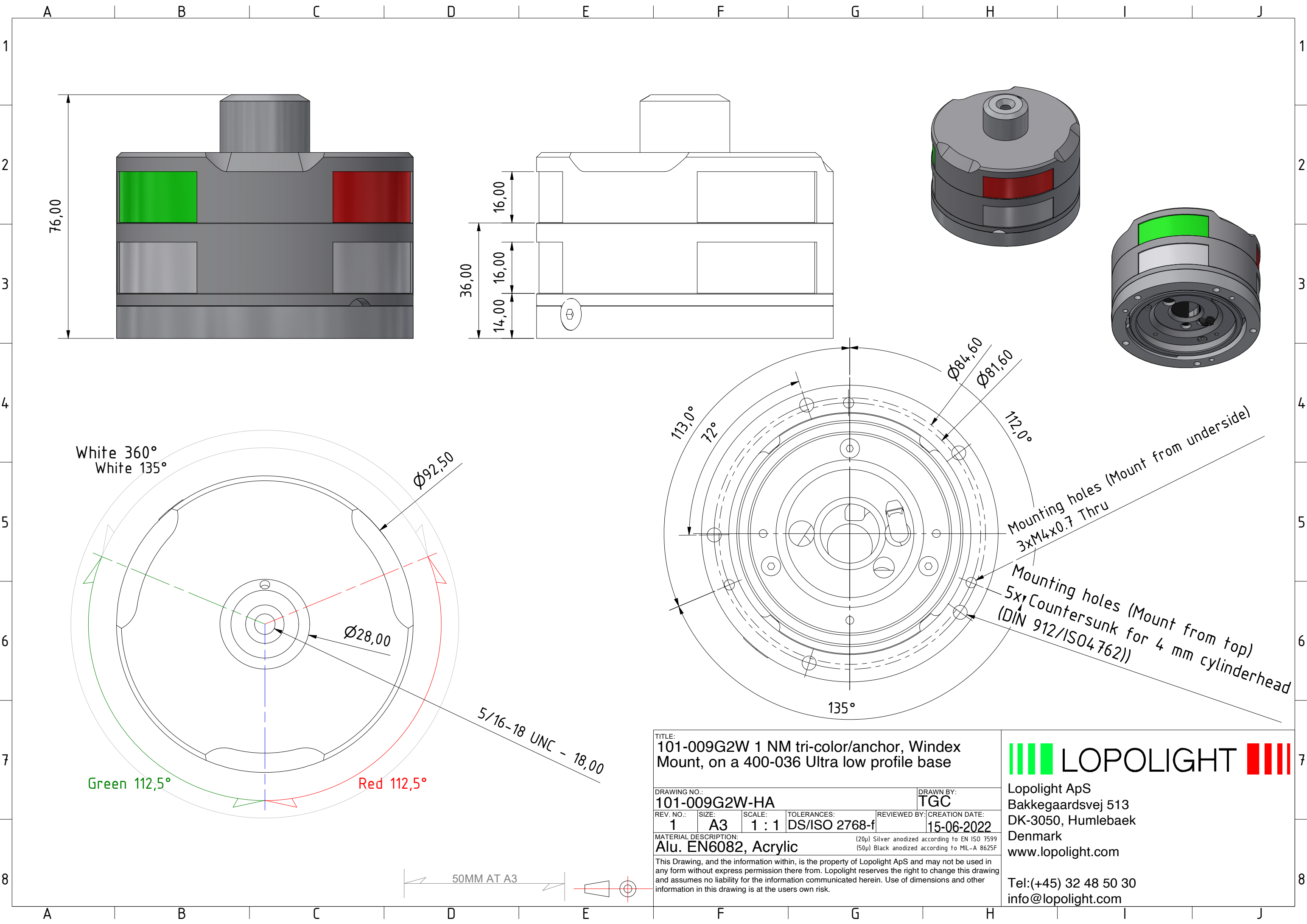


TITLE: <b>101-009G2W 1 NM tri-color/anchor, Windex Mount, on a 400-035 Promount base, 400-404 PE Base, cable down</b>					
DRAWING NO.: <b>101-009G2W-GA</b>			DRAWN BY: <b>TGC</b>		
REV. NO.:	SIZE:	SCALE:	TOLERANCES:	REVIEWED BY:	CREATION DATE:
<b>1</b>	<b>A3</b>	<b>1 : 1</b>	<b>DS/ISO 2768-f</b>		<b>15-06-2022</b>
MATERIAL DESCRIPTION: <b>Alu. EN6082, Acrylic, PE</b>					
<small>(20µ) Silver anodized according to EN ISO 7599 (50µ) Black anodized according to MIL-A 8625F</small>					
<small>This Drawing, and the information within, is the property of Lopolight ApS and may not be used in any form without express permission there from. Lopolight reserves the right to change this drawing and assumes no liability for the information communicated herein. Use of dimensions and other information in this drawing is at the users own risk.</small>					

**LOPOLIGHT**

Lopolight ApS  
 Bakkegaardsvej 513  
 DK-3050, Humlebaek  
 Denmark  
[www.lopolight.com](http://www.lopolight.com)

Tel:(+45) 32 48 50 30  
[info@lopolight.com](mailto:info@lopolight.com)



White 360°  
White 135°

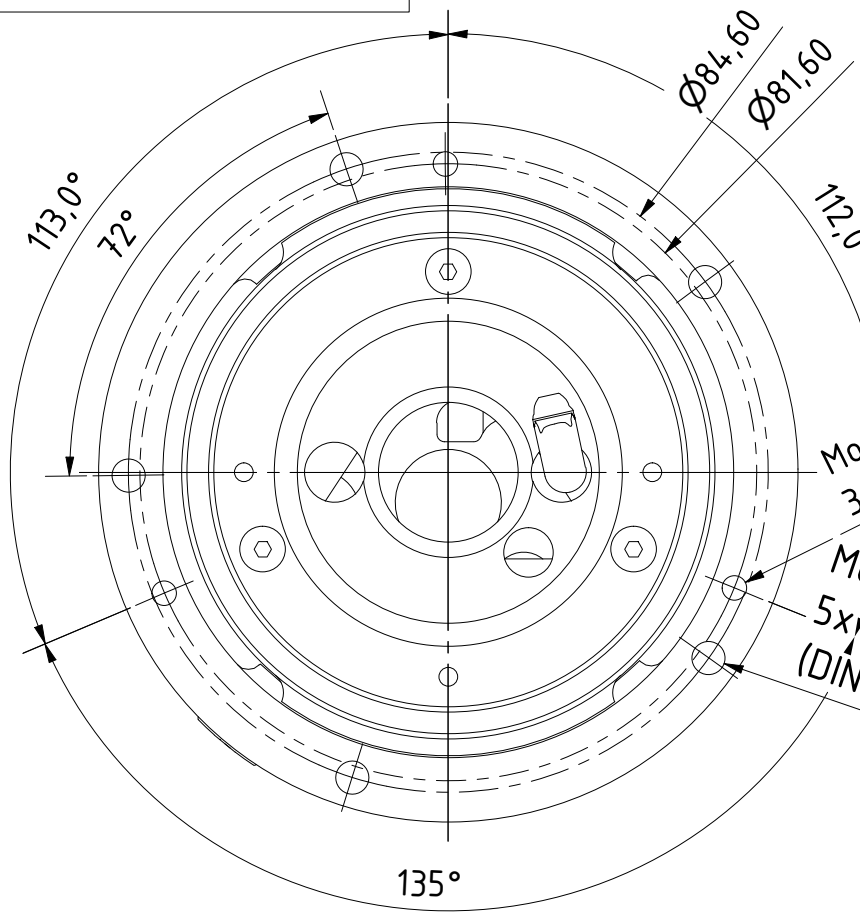
Ø92,50

Ø28,00

Green 112,5°

Red 112,5°

5/16-18 UNC - 18,00



Mounting holes (Mount from underside)  
3xM4x0.7 Thru

Mounting holes (Mount from top)  
5x Countersunk for 4 mm cylinderhead  
(DIN 912/ISO4762))

TITLE: <b>101-009G2W 1 NM tri-color/anchor, Windex Mount, on a 400-036 Ultra low profile base</b>					
DRAWING NO.: <b>101-009G2W-HA</b>			DRAWN BY: <b>TGC</b>		
REV. NO.:	SIZE:	SCALE:	TOLERANCES:	REVIEWED BY:	CREATION DATE:
<b>1</b>	<b>A3</b>	<b>1 : 1</b>	<b>DS/ISO 2768-f</b>		<b>15-06-2022</b>
MATERIAL DESCRIPTION: <b>Alu. EN6082, Acrylic</b>					
<small>(20µ) Silver anodized according to EN ISO 7599 (50µ) Black anodized according to MIL-A 8625F</small>					
<small>This Drawing, and the information within, is the property of Lopolight ApS and may not be used in any form without express permission there from. Lopolight reserves the right to change this drawing and assumes no liability for the information communicated herein. Use of dimensions and other information in this drawing is at the users own risk.</small>					

**LOPOLIGHT**

Lopolight ApS  
Bakkegaardsvej 513  
DK-3050, Humlebaek  
Denmark  
www.lopolight.com

Tel:(+45) 32 48 50 30  
info@lopolight.com

