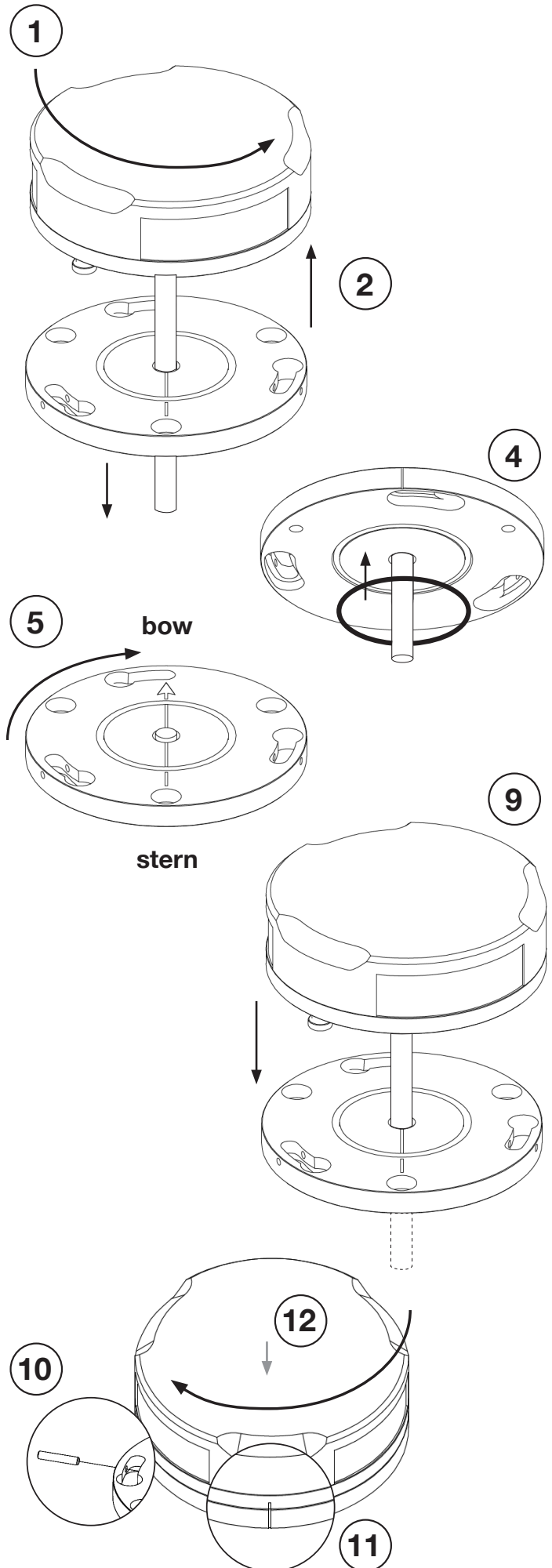


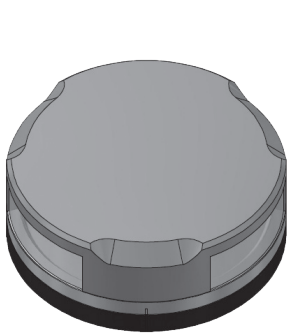
## MECHANICAL MOUNTING: STEP BY STEP



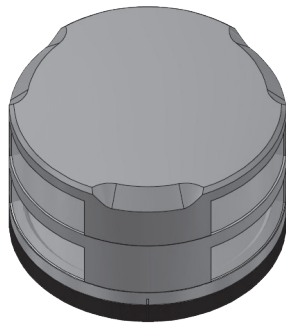
- ① Release the black base from light by twisting counter-clockwise
- ② Lift the light away from base, so base is free
- ③ Make sure that location chosen has no obstructions for the light output and the surface is fair, straight and flat.
- ④ **(IMPORTANT)** Mount O-ring on base facing downwards. If surface is rough extra water proofing with sealant is **recommended**
- ⑤ Place base and mark center, drill hole for cable (7mm)
- ⑥ Rotate base so arrow is pointing to the bow and parallel with centerline **(IMPORTANT)**
- ⑦ Mark and drill the 3 mounting holes according to the screws you have decided to use.
- ⑧ Mount screws, use a sealant. Choice between bolts or self-tapping screws -Ø4 (not supplied)
- ⑨ Bring light to base, thread cable through, close light by rotating clockwise. If light will not lock, check base for warp and adjust **one** of the three locking bolts accordingly.
- ⑩ Lock light with the supplied pinion screw. One is enough
- ⑪ Check that the notch on the light aligns with the notch on the base.
- ⑫ Final check of alignment, does the arrow on the light point to the bow and is parallel to centerline (if applicable)?



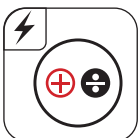
## CONNECTING POWER



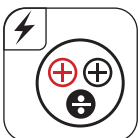
SINGLE LIGHT



DOUBLE LIGHT



**Single light cable, 2 leads.**  
DC 10 to 32 Volts. (12 and 24 Volt systems).  
Red is positive  
Black is negative (0 Volt)



**Single light with additional function, 3 leads.**  
DC 10 to 32 Volts. (12 and 24 Volt systems).  
Red is positive, function A  
White is positive, function B  
Black is negative (0 Volt)



**Double light, 4 leads.**  
DC 10 to 32 Volts. (12 and 24 Volt systems).  
Light 1: Red is positive, Black is negative (0 Volt)  
Light 2: Green is positive, White is positive (0 Volt)

**Recommended fuse or circuit breaker:** Less than 2A (slow).  
**Cabling:** Avoid chafe and route it away from sources of heat and large inductive fields such as electric motors.

**Technical product drawings**  
Download drawings on [www.lopolight.com/products](http://www.lopolight.com/products)

## INSTALLATION GUIDE

### LIGHT INSTALLATION REQUIREMENTS

This installation guide is a general version, to obtain an exact drawing of this light please use the QR code to the left and type the part number to get to the drawing and data. The Lopolight 'FB' series lights are intended to be easy to install and provide a very long service life.

Overleaf you will find the mounting instructions, please follow these carefully, especially to align the light to the vessel centerline.



PRODUCT PAGE



**TIP:**

You can achieve an ultra low mounting by avoiding the use of the black base, by removing the 3 locking bolts (Torx 15 head) and bolt the light from underneath with M4 screws, please observe that the thread in the light is only 6mm deep. Too long screws will damage the light.

### MAINTENANCE:



**Cleaning your product:**

• Wipe off your product with a normal detergent, on a damp cloth. **DO NOT** use alcohol or thinner for cleaning your light – this could damage the lens.



**Troubleshooting:**

If the light does not function:

- Check that you have a supply Voltage between 10 and 32 Volt DC.
- Check that the polarity is right (you will not damage the Lopolight by accidentally wiring the polarity wrong).



**End of life signaling:**

Your Lopolight product has a advanced time function inside that ensures that the light has required intensity over a 50.000-hour projected lifetime. The light will signal to you when it is getting to the end of its useful life. The following signals can be observed:

**All OK:**

5 seconds after turning on the light it will go dark for 0,1 second and turn on again. This is just a check for you to assure that the microprocessor is working.

**Less than 2000 working hours left:**

The dark period is extended to 2 seconds: you should change the light at your next service within the next 12 months.

**Light Expired:**

The dark period is extended to 5 seconds: You should change the light immediately. (The light will still be working, even in the expired state)

### WARRANTY:



- This product is covered by our 5-year limited warranty.
- Claim a warranty using [www.lopolight.com/warranty](http://www.lopolight.com/warranty) or QR code.



**Specified Ambient temperature area:**

T<sub>amb</sub>: -25°C to +55°C



**Observe:**

Make sure that the power cable is securely managed, avoid any pull on the cable, avoid any sharp bending or twisting. Do not drill or manipulate the light. Any of this will void the warranty

### APPROVALS:



**The light in this package is type approved to the following standards:**

- EN-14744, UL-1104, COLREG72, IEC 60945

**Recognized by the following authorities:**

- IMO, MED (EU-wheelmark), MER, USCG

